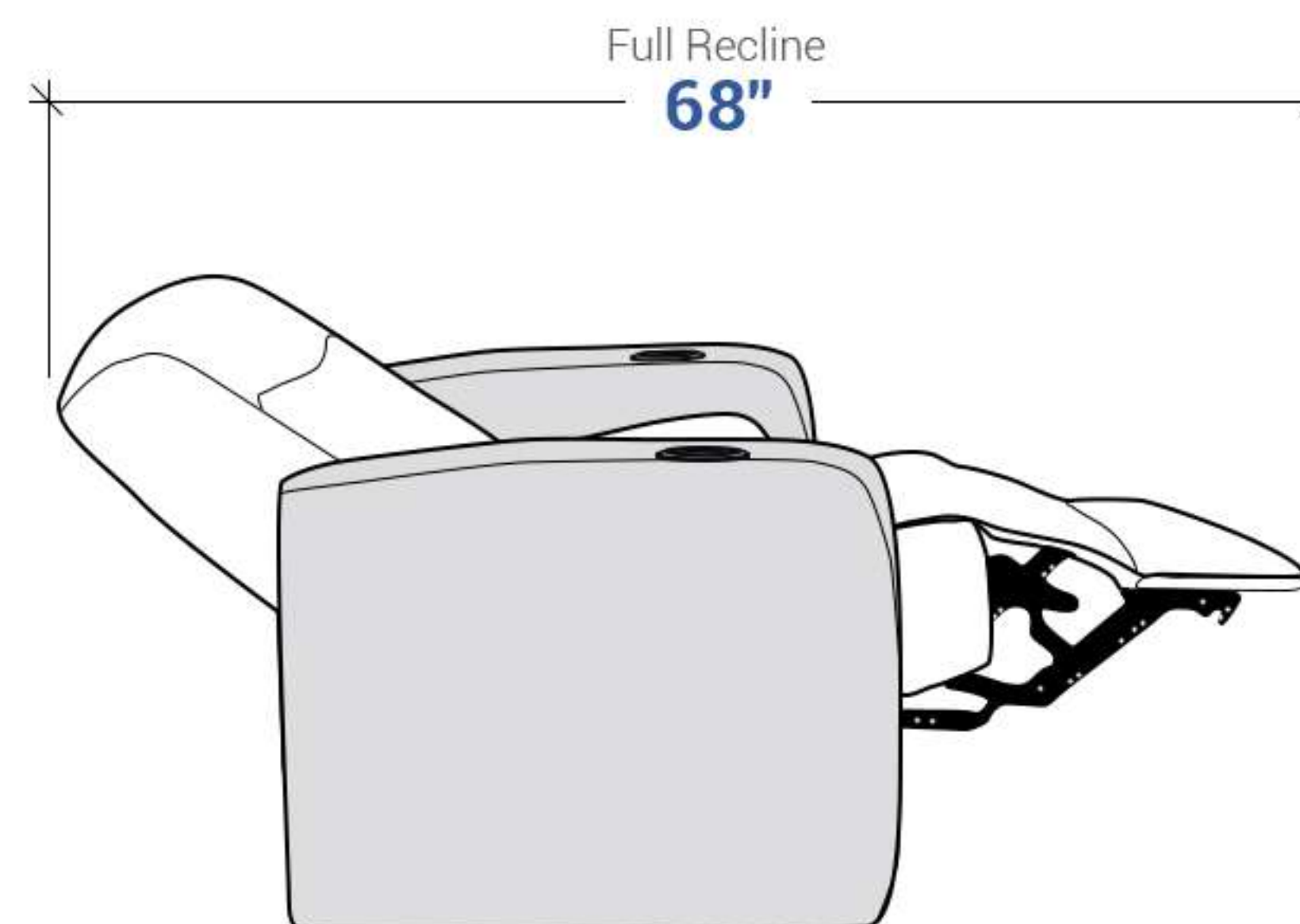
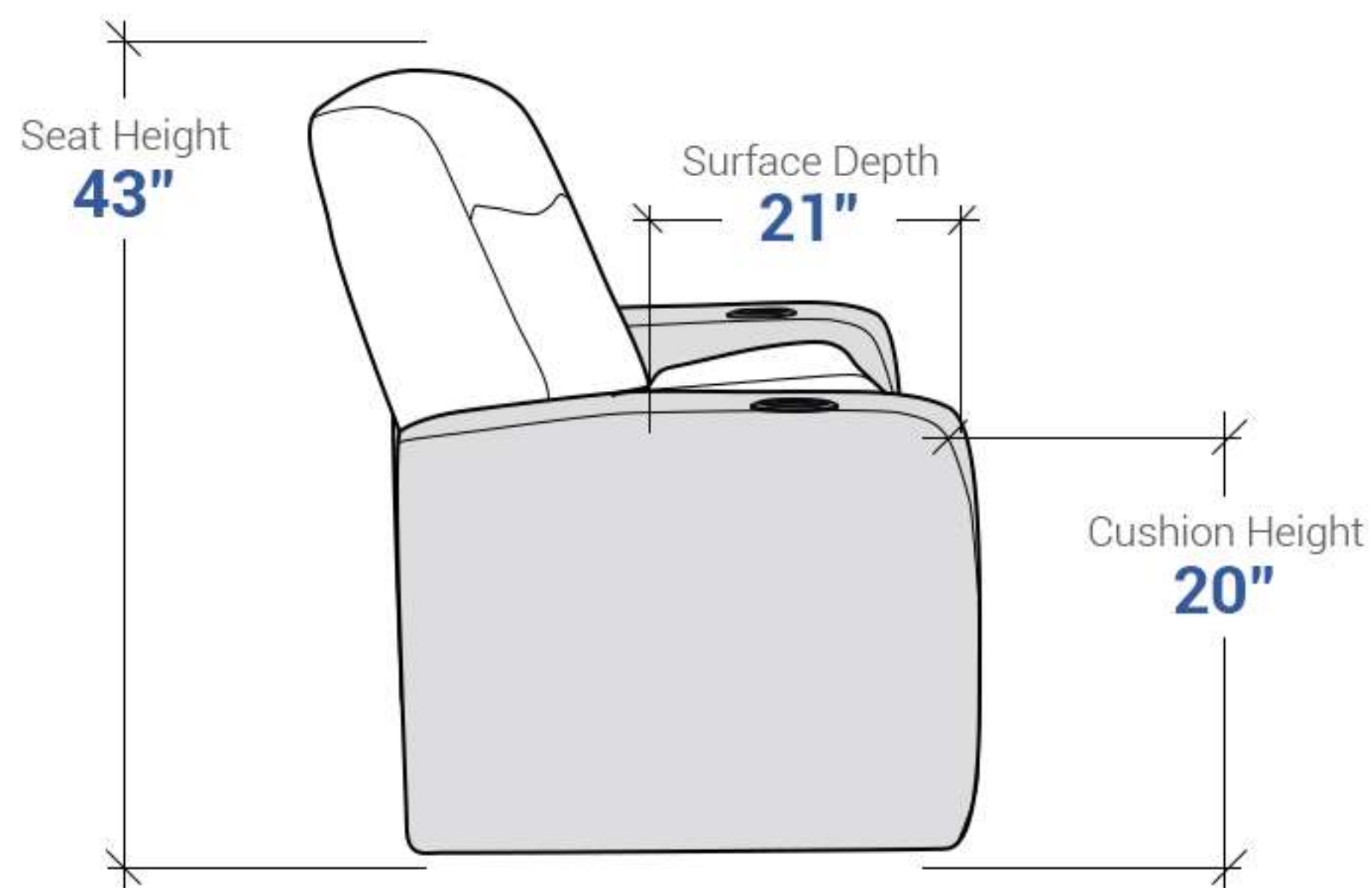
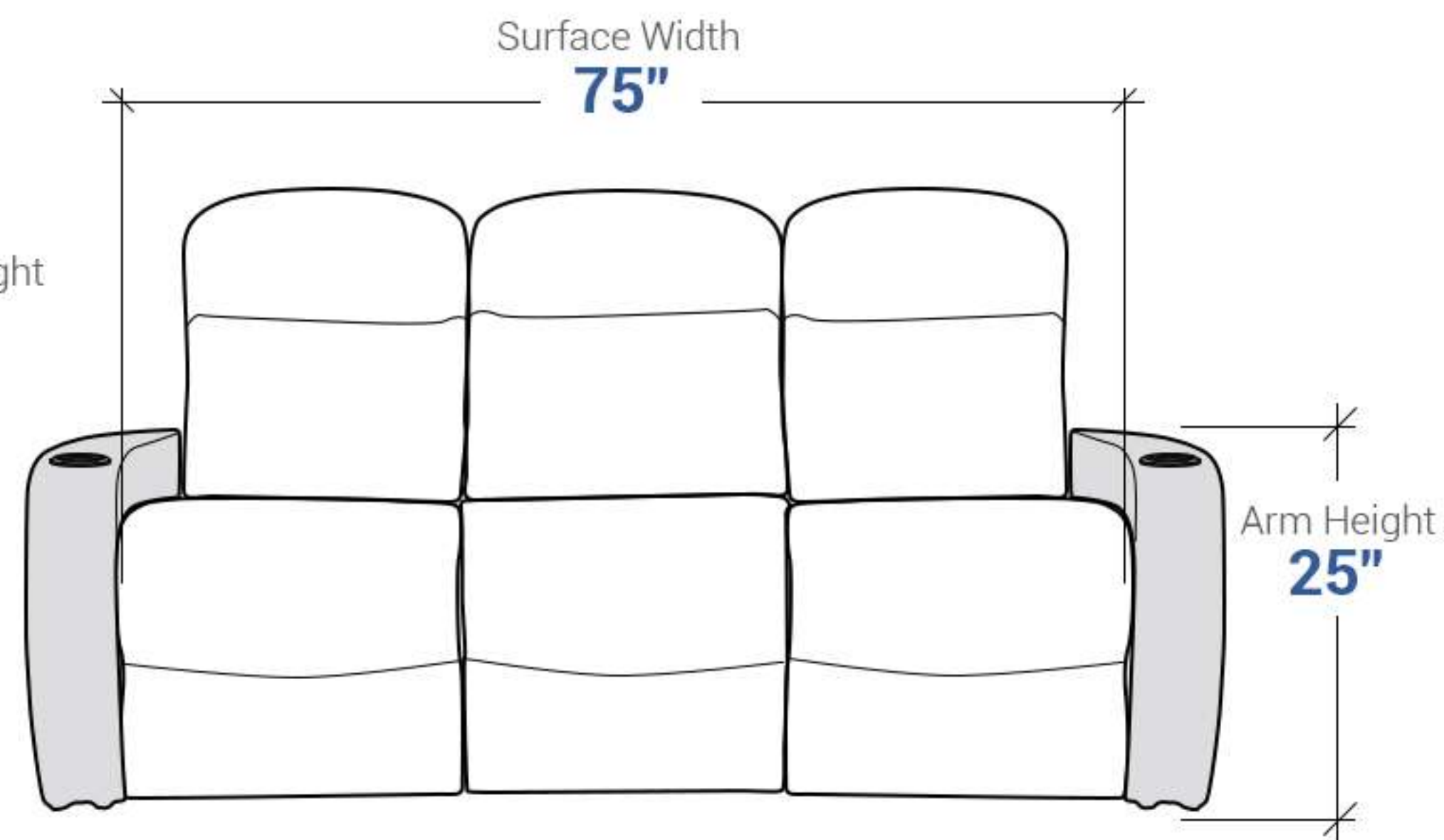
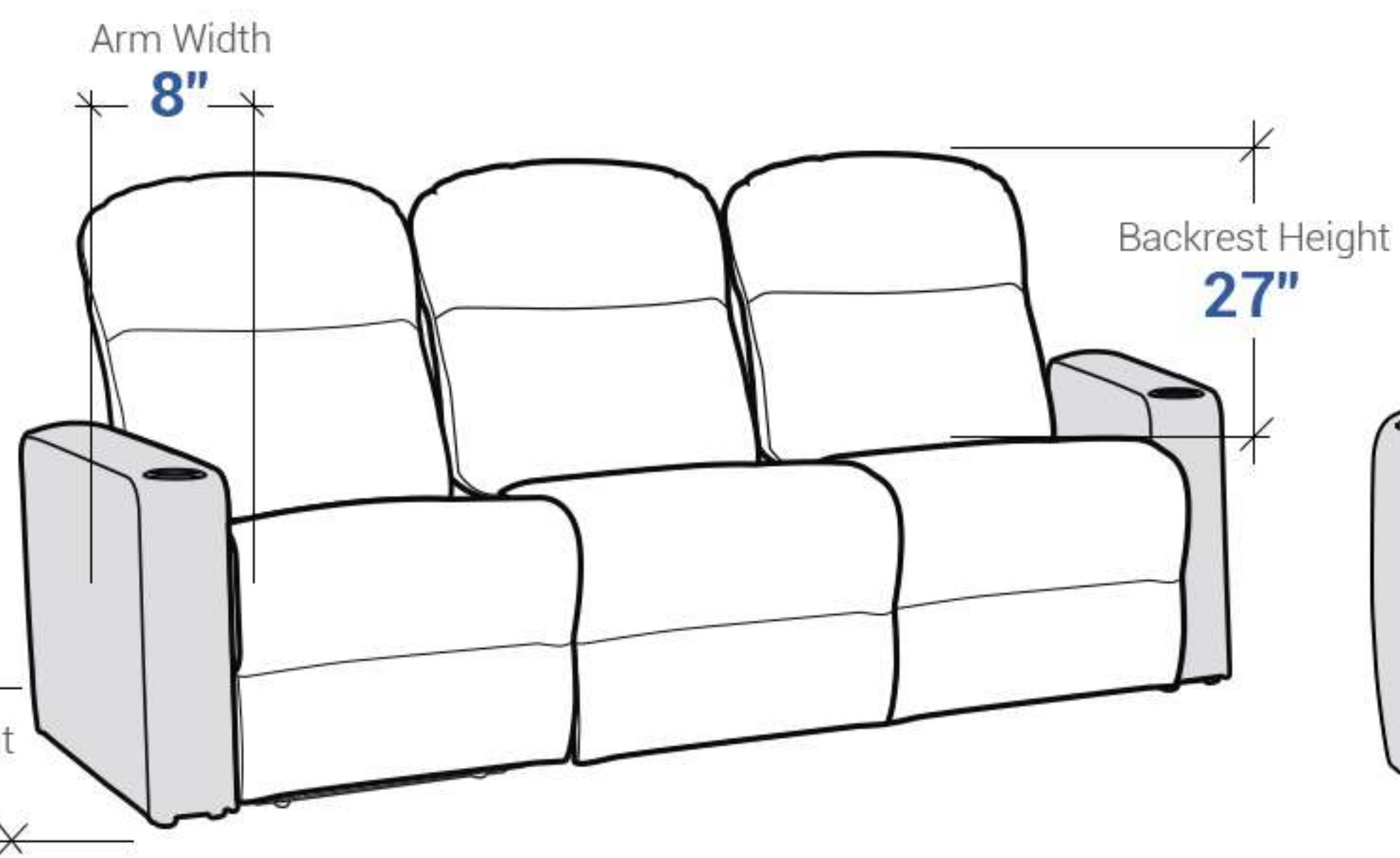


*Rotate Chair 90° to fit through the door before attaching backrest

Distance needed from wall for full recline: **5"**



*Rotate Chair 90° to fit through the door before attaching backrest

Distance needed from wall for full recline: **5"**