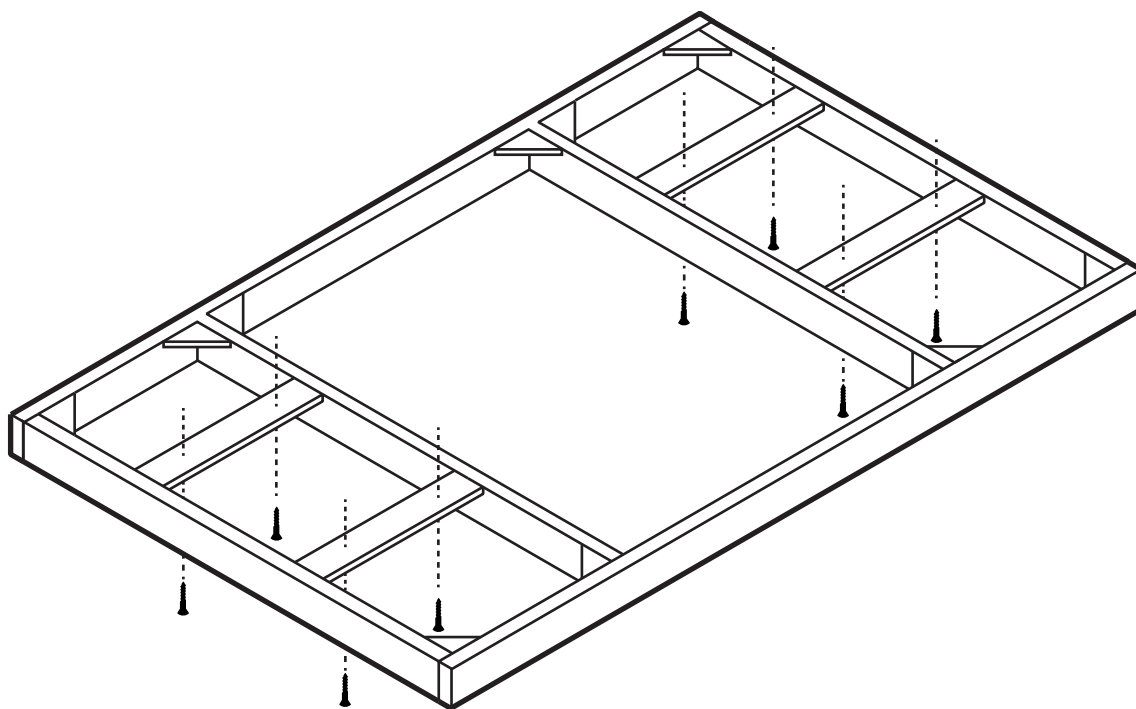


SoundRight Framed Star Panel
Installation Guide

STEP 1

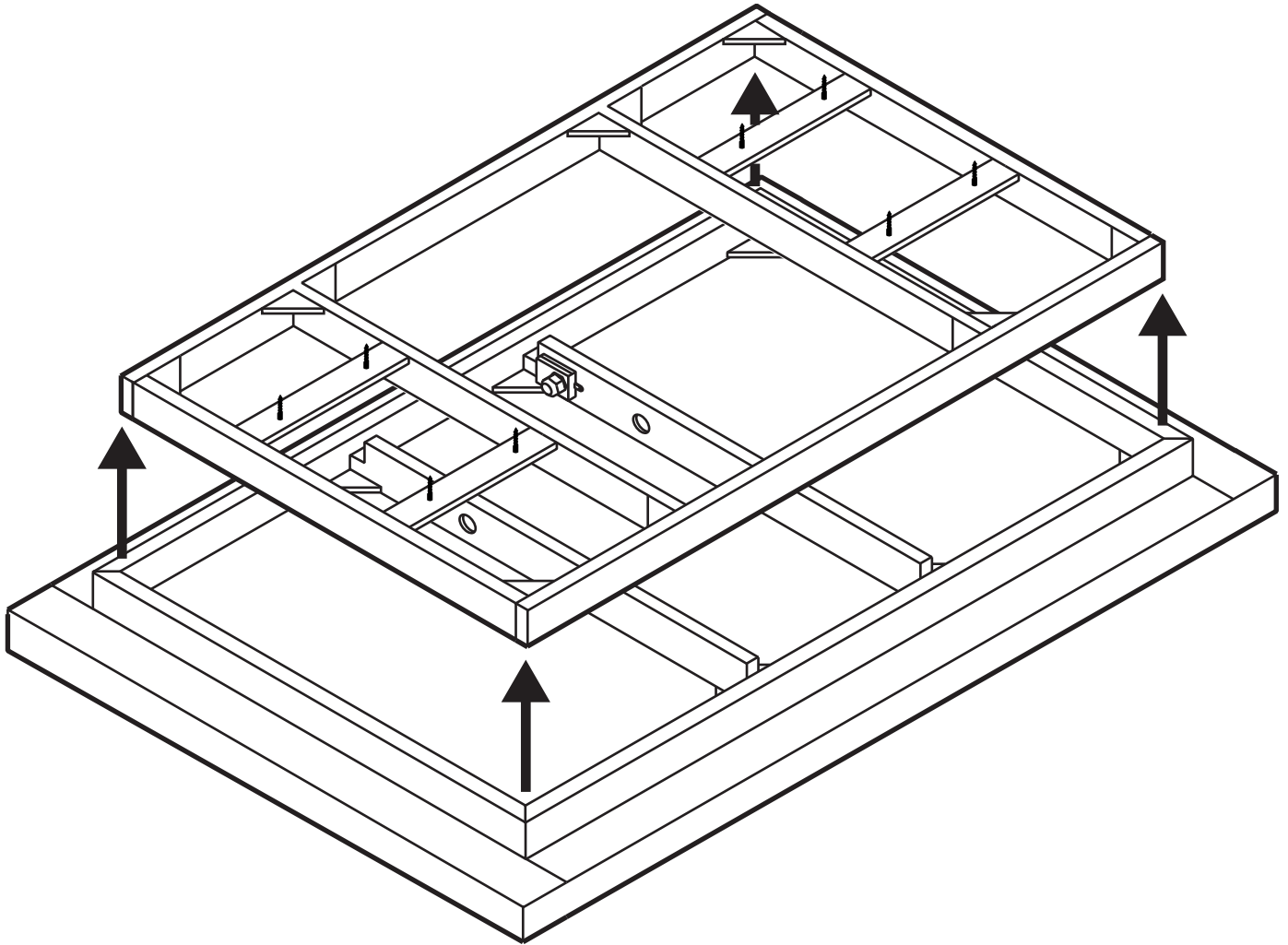
SECURE FRAME TO CEILING

Start the installation of your SoundRight Fiber-Optic Star Panel by securing the base frame to your theater ceiling. Locate the four frame brackets on the top of the frame. Use these brackets to mount the Star Panel to your ceiling.



ATTACH STAR PANEL TO FRAME

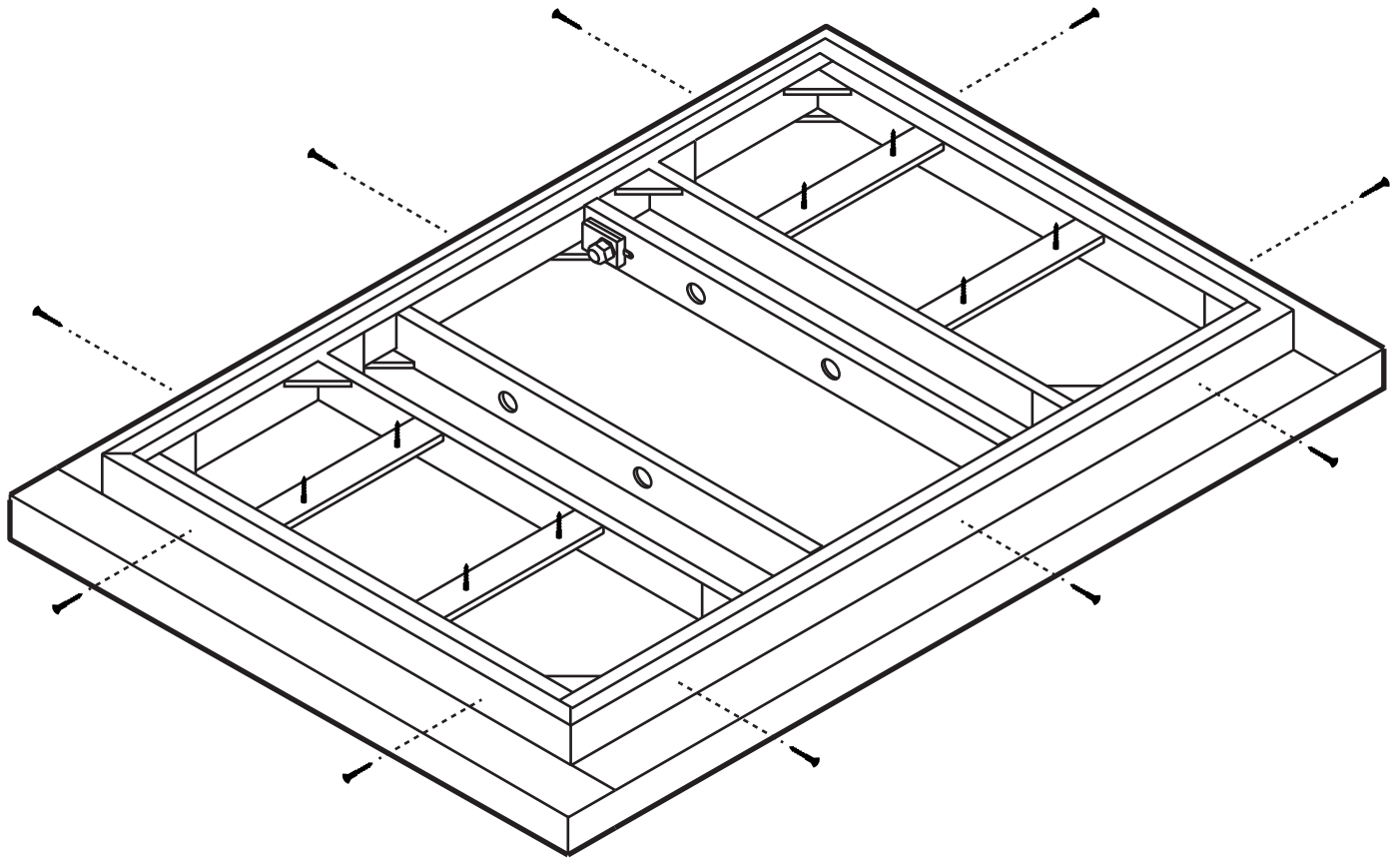
Once the base frame is attached and secured to your theater ceiling you are ready to attach the Star Panel. Slide the Star Panel snug around the base frame. If you are attaching multiple frameless Star Panels adjacent to each other refer to the diagram on page 4.



STEP 3

SECURE STAR PANEL TO FRAME

After you have slid your Star Panel into place it's time to secure it to the frame. Make sure that all screws are evenly tight.



CONNECTING AND SYNCING MULTIPLE STAR PANELS

Connecting multiple Star Panels and syncing the fiber optic lighting is simple. For (2) panels you will need to take (2) cables from Panel A and attach it to Lightbox B. You will then need to take (2) cables from Panel B and attach it to Lightbox A. Each lightbox has a screwable cap where you can place the fiber optic cables into.

