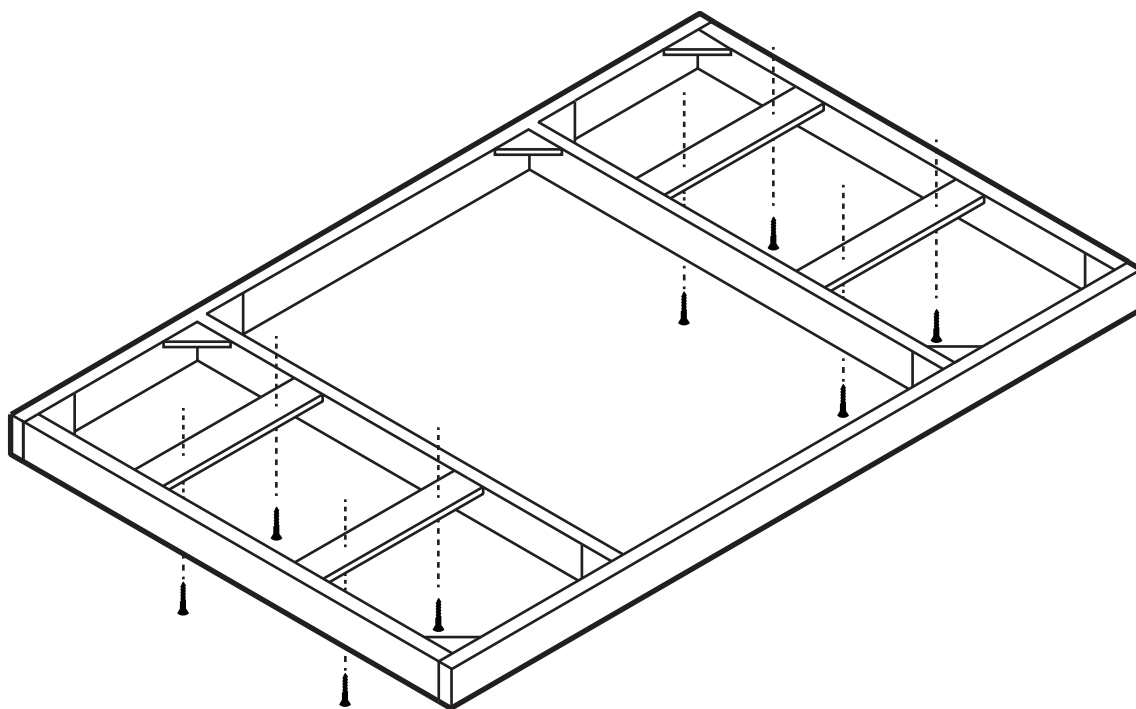


SoundRight Framed Star Panel
Installation Guide

STEP 1

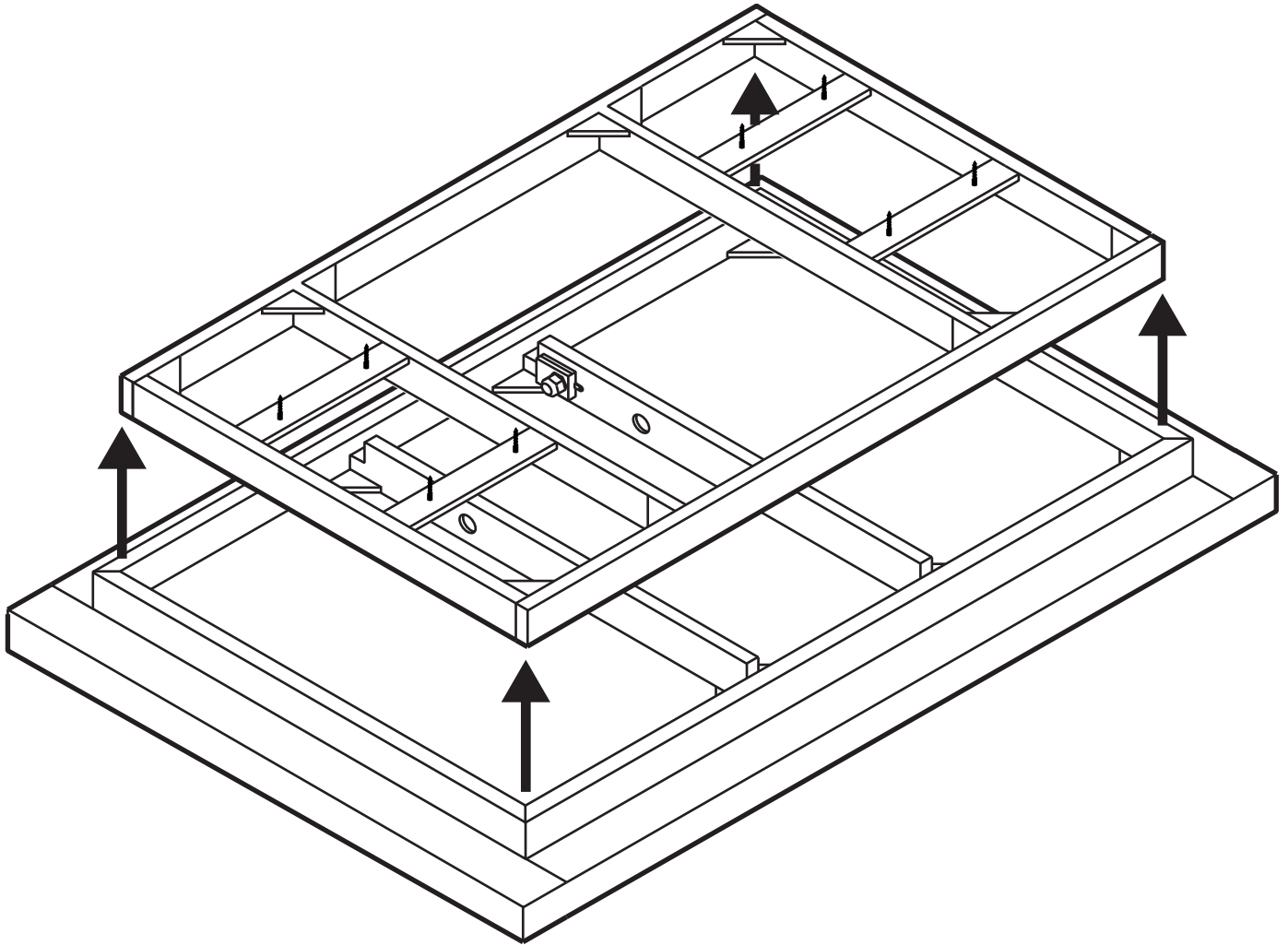
SECURE FRAME TO CEILING

Start the installation of your SoundRight Fiber-Optic Star Panel by securing the base frame to your theater ceiling. Locate the four frame brackets on the top of the frame. Use these brackets to mount the Star Panel to your ceiling.



ATTACH STAR PANEL TO FRAME

Once the base frame is attached and secured to your theater ceiling you are ready to attach the Star Panel. Slide the Star Panel snug around the base frame.



STEP 3

SECURE STAR PANEL TO FRAME

After you have slid your Star Panel into place it's time to secure it to the frame. Make sure that all screws are evenly tight.

